

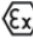
# ATEX Industrial TFT LCD Monitor

EX91115/91116/91119/91122 Series

## EX911xxVR (ATEX Series)

## Features



- Front IP66 / Back IP69 Grade
- M12 Waterproof Connector
- Full Flat Bezel and Fanless Design
- Stainless Steel OSD Function Key
- Stainless Steel SUS316
- Wide Range DC 9~36V Power Input
- Support Panel Mount & VESA Mount
- Support Resistive Touch
- ATEX Zone2, IECEx and C1D2 Certified  
IECEx Certification: Ex nA ic IIC T4 Gc  
ATEX Certification:  II 3 G  
C1D2 Certification: Class I, Division 2, Groups A, B, C, D T4



## Specification

### DISP LAY

Display type	15" Color TFT LCD (EX91115) 16" Color TFT LCD (EX91116) 19" Color TFT LCD (EX91119) 22" Color TFT LCD (EX91122)
Max. Resolution	1024 x 768 (EX91115) 1920 x 1080 (EX91116) 1280 x 1024 (EX91119) 1920 x 1080 (EX91122)
Viewing Angle	160/150(H/V) (EX91115) 160/140(H/V) (EX91116) 170/160(H/V) (EX91119) 178/178(H/V) (EX91122)
Max. Colors	16.2M (EX91115) 16.7M (EX91116) (EX91119) (EX91122)
Contrast Ratio	800:1(EX91115) 700:1(EX91116) 1000:1(EX91119) 5000:1(EX91122)
Luminance(cd/m <sup>2</sup> )	450 (EX91115) 400 (EX91116) 350 (EX91119) 350 (EX91122)
Backlight lifetime	50,000 hrs

### I/O PORT

Outside I/O Port	1 x M16 3pin DC Power with Metal Waterproof CAP 1 x M12 12pin for VGA with Metal Waterproof CAP 1 x M12 USB for Touch Control with Metal Waterproof CAP External OSD BOX design with M12 3M OSD Cable with Waterproof CAP
------------------	--

### TOUCH SCREEN

Type	Resistive Touch Screen
Interface	USB
Light Transmission	Over 90%

### MECHANICAL SPECIFICATIONS

Construction	316 Stainless Steel Chassis
Mounting	Panel Mount / VESA Mount 100 x 100
IP Rating	Total IP66 6 sides
Dimension	39.9 x 32.4 x 7 cm (EX91115) 44 x 29 x 7.5 cm (EX91116) 47 x 38.86 x 7.5 cm (EX91119) 57.1 x 36.2 x 7.51 cm (EX91122)
Net Weight	8.5Kgs (EX91115) 9.1Kgs (EX91116) 12Kgs (EX91119) 12.3Kgs (EX91122)

# ATEX Industrial TFT LCD Monitor

EX91115/91116/91119/91122 Series

## ENVIRONMENTAL

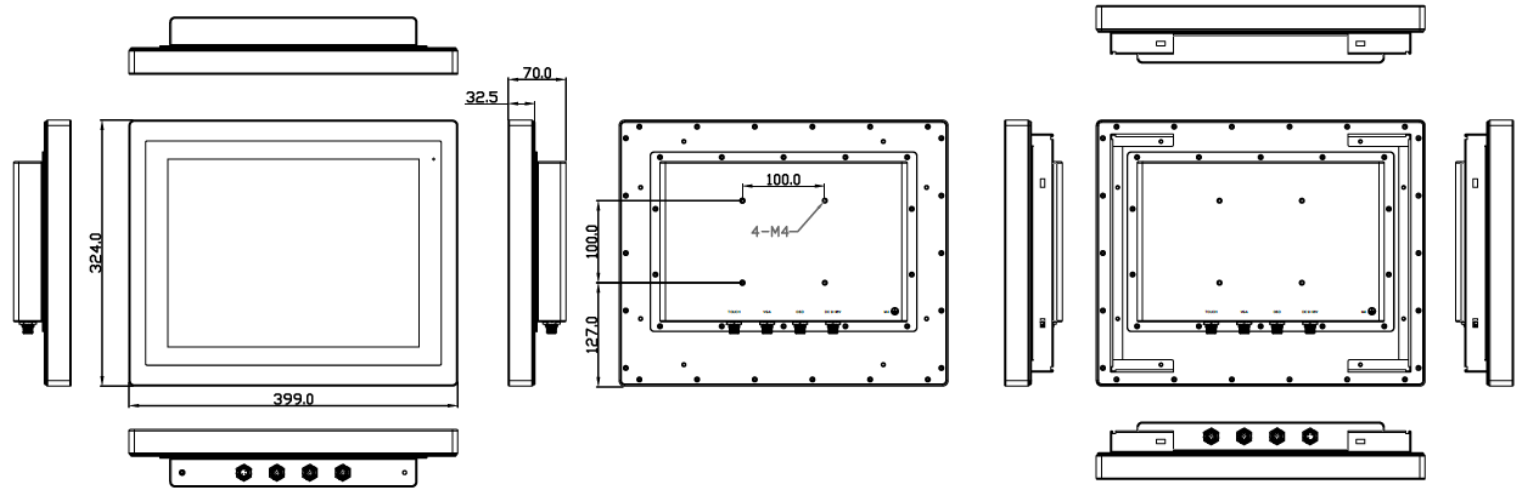
Operating Temperature	-20~60 °C
Storage Temperature	-30~70 °C
Related Humidity	10~90% @40 °C Non-condensing
Certification	CE/FCC Class A ATEX / IECEx / C1D2 Zone 2

## POWER

Power Input	DC 9~36V
Power Consumption	MAX: 21.6W (EX91115) MAX: 13W (EX91116) MAX: 17W (EX91119) MAX: 19W (EX91122)

Dimension :

EX-91115

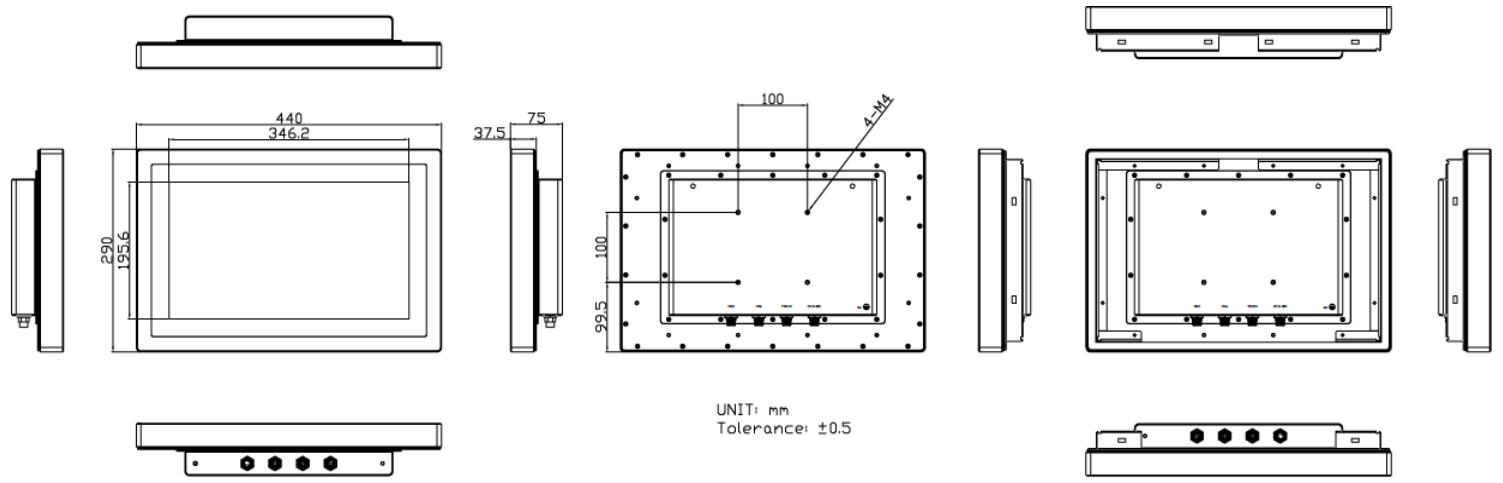


UNIT: mm  
Tolerance: ±0.5

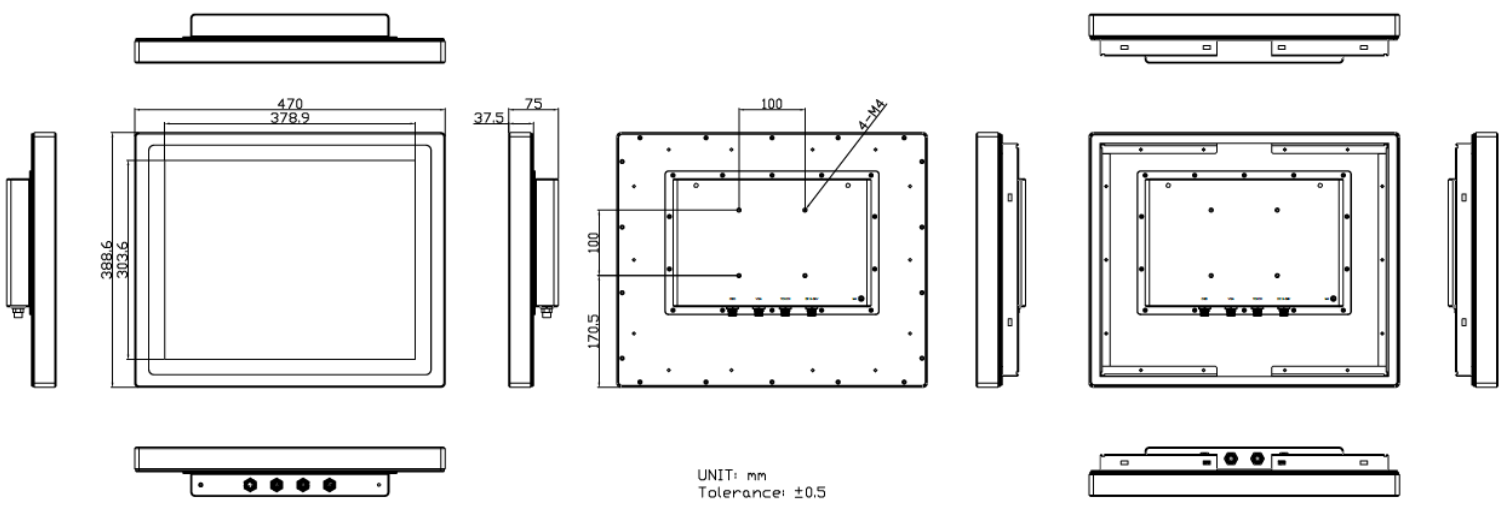
# ATEX Industrial TFT LCD Monitor

EX91115/91116/91119/91122 Series

## EX-91116



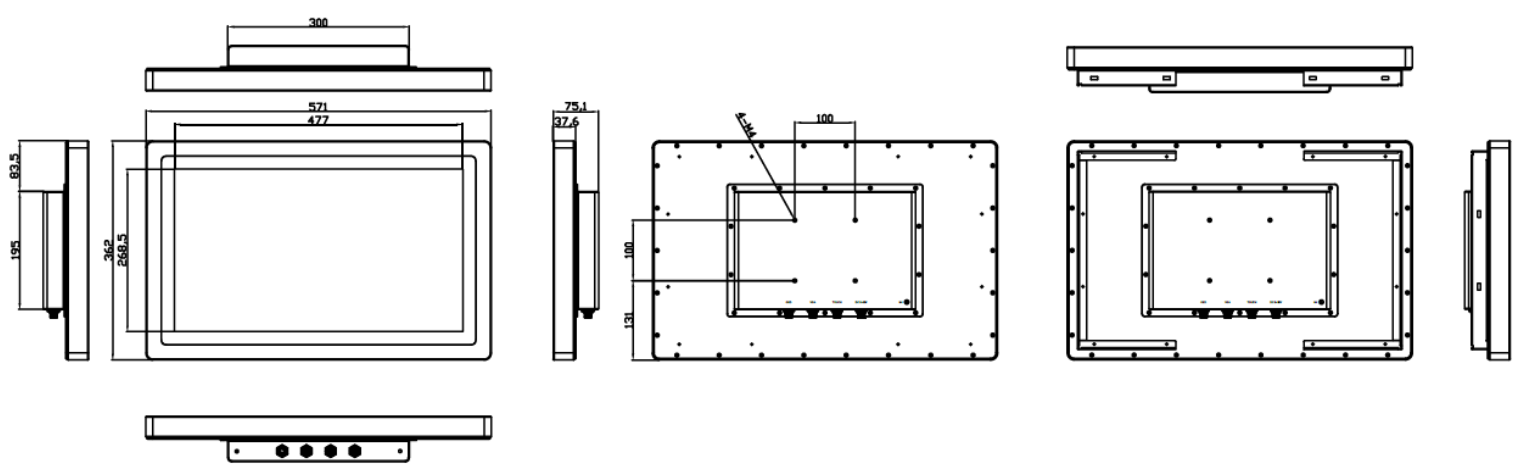
## EX-91119



# ATEX Industrial TFT LCD Monitor

EX91115/91116/91119/91122 Series

EX-91122



UNIT: mm  
Tolerance: ±0.5