

# Intel Celeron N2930 panel PC(IP66/69K)

EX91917V/VP/VG\_EX91919V/VP/VG\_EX91921V/VP/VG\_EX91924VP/VG

## EX919XXV/VP/VG series

## Features



- 17"/19"/21.5"/24" New Generation Stainless Steel Panel PC
- Intel Celeron N2930 1.83GHz Onboard Processor
- True Flat Front Bezel Design and Grade 304 Stainless Steel Enclosure(Grade 316 for Option)
- IP66/IP69K Rated with M12 Connectors
- Support Resistive Touch, Projected Capacitive Touch, and Glass
- Touch on/off Button on the Side Edge for Hygienic Cleaning
- Support Ergonomic Versatile Mounting: Yoke Mounting / Space-saving VESA 75 mm Mounting



## Specification

### SYSTEM

CPU	Onboard Intel Celeron N2930(1.83GHz) Processor
System Chipset	SoC
Memory	Onboard 4GB DDR 3L 1600 MHz/8GB(option)
RFID Module	RFID module design on the front side(option)

### STORAGE SPACE

HDD	1 x 2.5" HDD/SDD
Movable device	1 x SD slot

### EXPANSION

Expansion Slot	1 x Mini PCIe slot for WIFI/BT (optional)
RFID Modul	RFID module design on the front side(option)

### I/O PORT

USB	1 x M12 8-pin for USB 2.0 with waterproof cap
Serial/Parallel	1 x M12 8pin for COM 1, RS-232/422/485, Default RS-232, with waterproof cap
LAN	1 x M12 8pin for LAN with waterproof cap
Power	1 x M12 3pin DC Power with waterproof cap 1 x Power Switch on the rear side
Others	1 x Touch on/off button on the side
Option	2 x optional blank M12 connectors with waterproof cap for selecting two from the following options: 2 x USB 2.0 via converter board 1 x USB 3.0 via cable 1 x USB 3.0 via cable 1 x LAN 1 x COM Port 1 x CAN

### DISPLAY

LCD Size	Color TFT LCD (17"/19"/21.5"/24")
Max.Resolution	1280 x 1024 (17"/19") 1920 x 1080 (21"/24")
Max. Color	16.7M (17"~24")
Luminance(cd/m <sup>2</sup> )	350 (17"/19") 300 (21.5") 250 (24")
Contrast Ratio	1000:1(17"/19")
Viewing Angle	170(H)/170(V) (17") 170(H)/165(V) (19") 178(H)/178(V) (21.5"/24")
Backlight Lifetime	50,000 hrs (17"/19"/21.5") 30,000 hrs (24")
Option	Optical Bonding

# Intel Celeron N2930 panel PC(IP66/69K)

EX91917V/VP/VG\_EX91919V/VP/VG\_EX91921V/VP/VG\_EX91924VP/VG

## GLASS TYPE

TYPE	AR
Light Transmission	Over 90%

## POWER

Power input	9~36V/DC (17"~24")
Power Consumption	MAX: 29.2W (EX91917VP) MAX: TBD (EX91917V) MAX: 29.5W (EX91919VP) MAX: TBD (EX91919V) MAX: 29.5W (EX91921V) MAX: TBD (EX91921VP) MAX: 35.1W (EX91924VP)

## MECHANICAL

Construction	Stainless steel enclosure
Mounting	VESA mount 75 x 75, Yoke mount (17") VESA mount 100 x 100, Yoke mount (19"~24")
IP Rating	IP66/IP69K (17"~24")
Dimension	43.2 x 35.8 x 5.53 cm (17") 47 x 38.86 x 6 cm (19") 5.71 x 36.2 x 5.5 cm (21.5") 65.6 x 42.3 x 5.3 cm (24")
Net Weight	7.1 kgs (17") 9.5 kgs (19") 9.9 kgs (21.5") 12.5 kgs (24")

## TOUCH SCREEN

TS Control IC	Chip on tail (Projected Capacitive)(17"~24")
Interface	USB(Projected Capacitive,)(17"~24") USB(Resistive Touch)(17"~21") AR(Glass)TBD(17"~24")
Light Transmission	Over 80% (Resistive Touch) Over 90% (Projective Capacitive, Glass)

## ENVIROMENTAL CONDITIONS

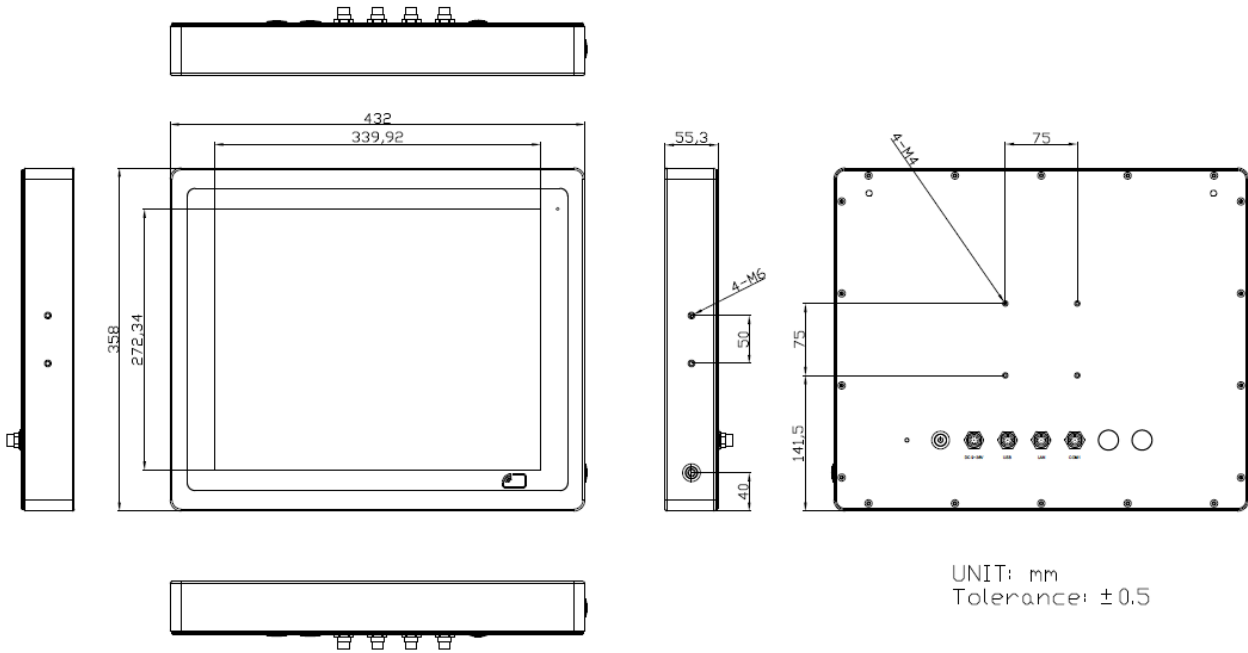
Operating Temperature	-20°C ~ 60°C (17") 0°C ~ 50°C (19"~24")
Storage Temperature	-30°C ~ 70°C (17"~24")
Storage Humidity	10% to 90% @40°C, non-condensing
OS support	Windows 7 Embedded Enterprise, Windows Embedded Standard 7, Windows Embedded 8.1 Pro, Windows Embedded 8.1 Industry Pro, Windows 10 IoT 2016
Certification	CE/FCC CLASS A

# Intel Celeron N2930 panel PC(IP66/69K)

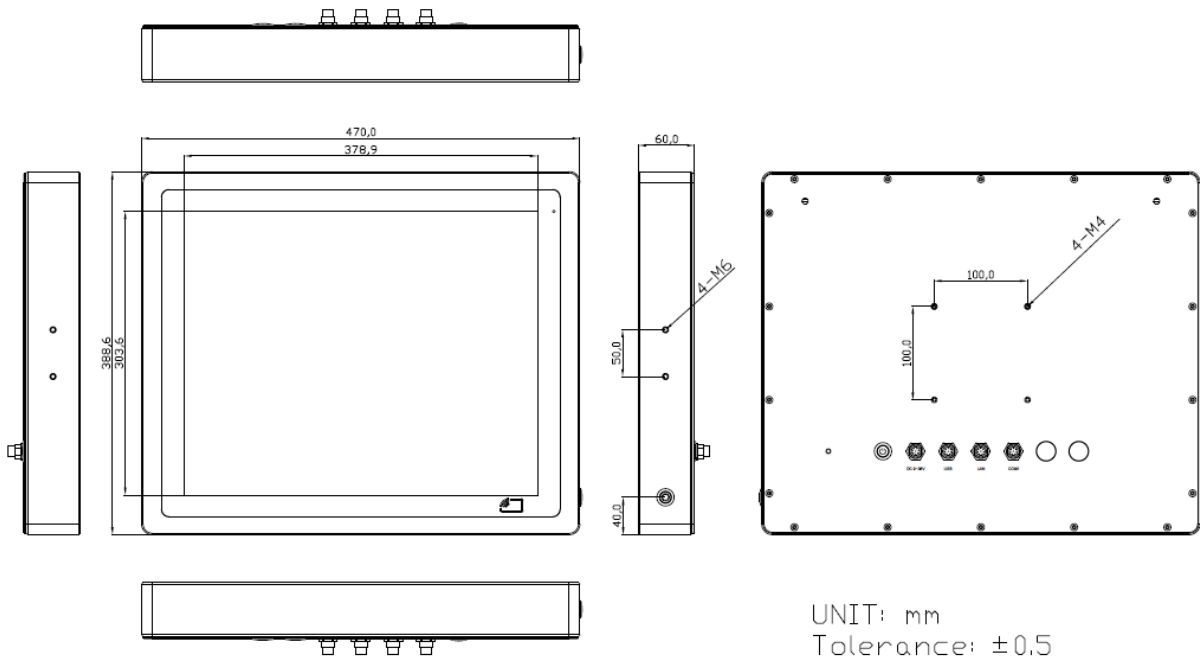
EX91917V/VP/VG\_EX91919V/VP/VG\_EX91921V/VP/VG\_EX91924VP/VG

Dimension :

## EX-91917V/VP/VG



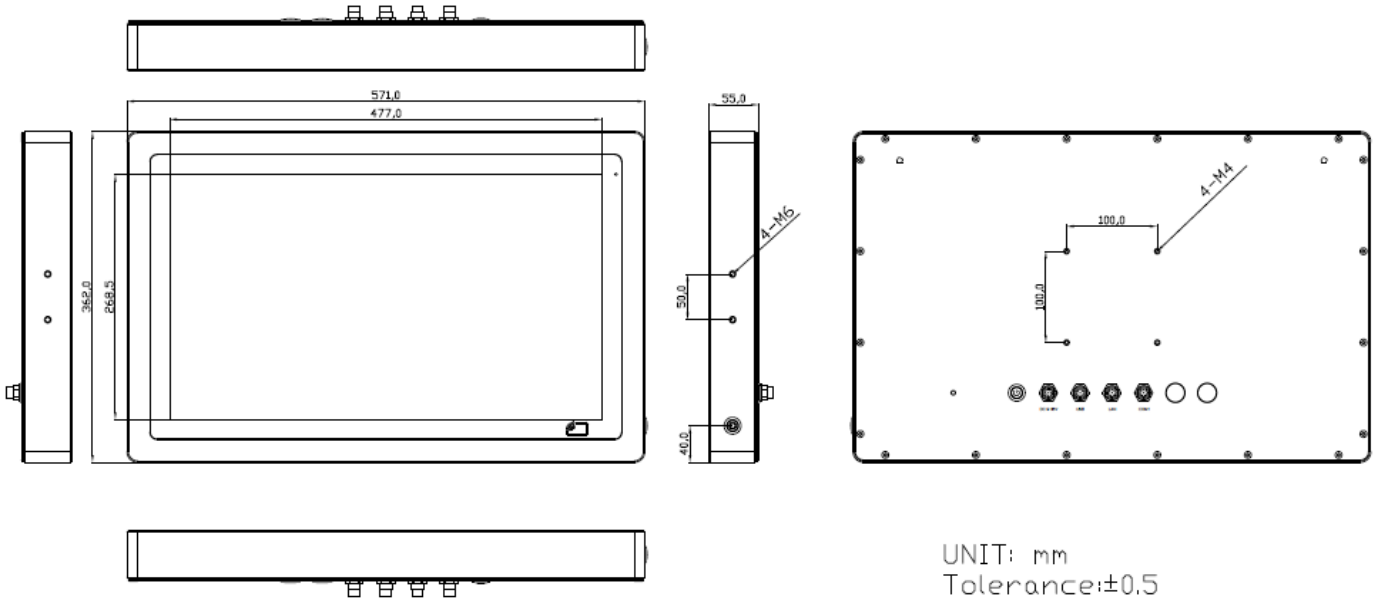
## EX-91919V/VP/VG



# Intel Celeron N2930 panel PC(IP66/69K)

EX91917V/VP/VG\_EX91919V/VP/VG\_EX91921V/VP/VG\_EX91924VP/VG

## EX-91921V/VP/V



## EX-91924VP/VG

